



# High impact tank cleaning machine

## »IntenseClean Hygienic«

### Series 5TB

#### Series 5TB

The IntenseClean Hygienic 5TB has firmly established itself, above all in the pharmaceutical, food and beverage industries – and with good reason: The especially strong solid jets produce an extremely high degree of effectiveness, while the gear-controlled rotation ensures high levels of efficiency. All parts used are noted for their particularly high surface quality. This series is suitable for high pressures and temperatures.



**Max. Tank diameter [m]**



**Materials**  
316L SS, 632 SS,  
PEEK, PTFE,  
Zirconium oxide,  
EPDM



**Max. temperature**  
95 °C



**Recommended operating pressure**  
5 bar



**Installation**  
Operation in every direction is possible



**Filtration**  
Line strainer with a mesh size of 0.2 mm/80 mesh



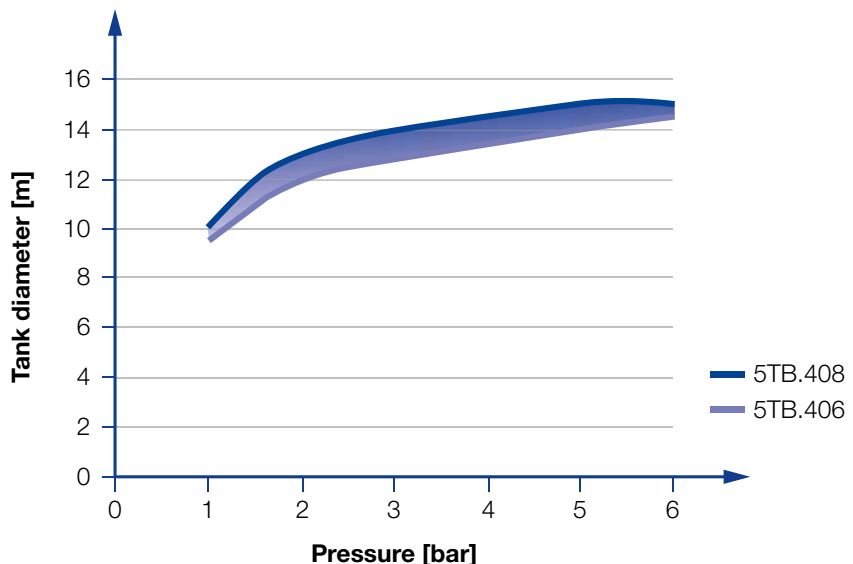
**Bearing**  
Ball bearing



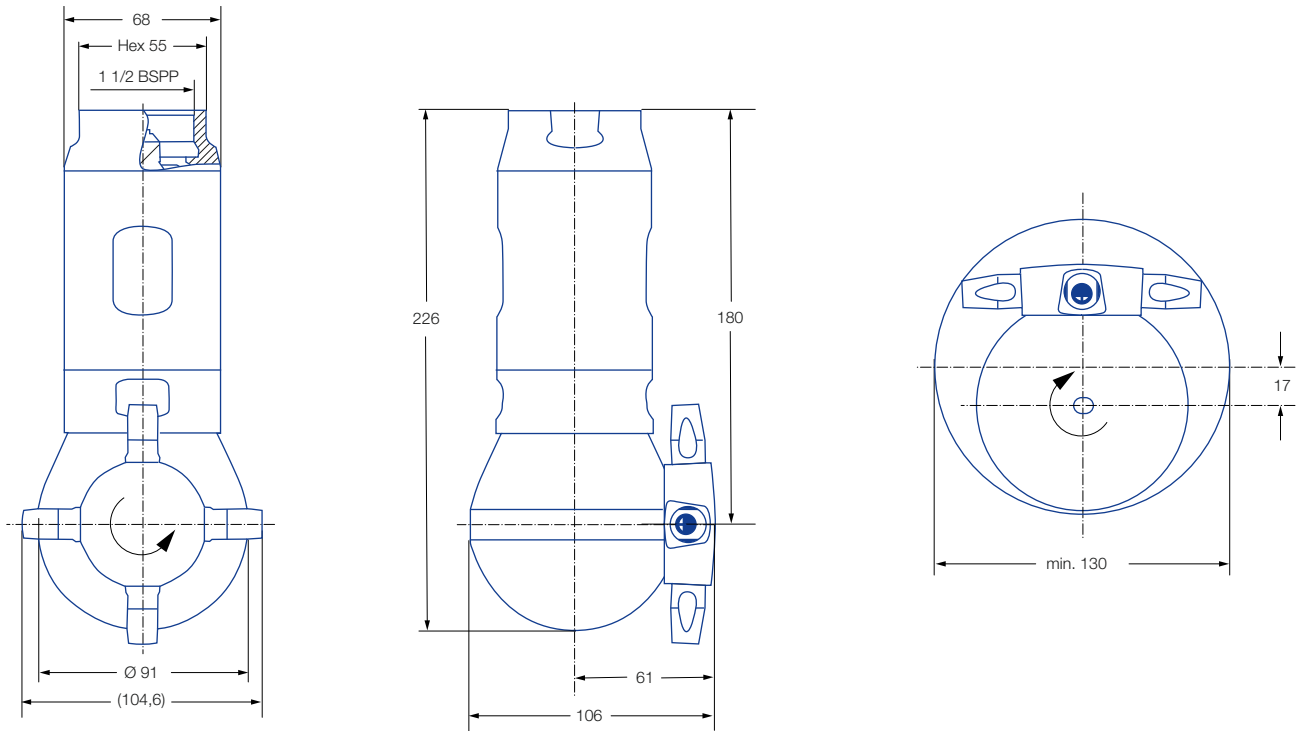
**Weight**  
4.0 kg





**Rotation monitoring sensor**  
Sensor compatible,  
Info: see page 76



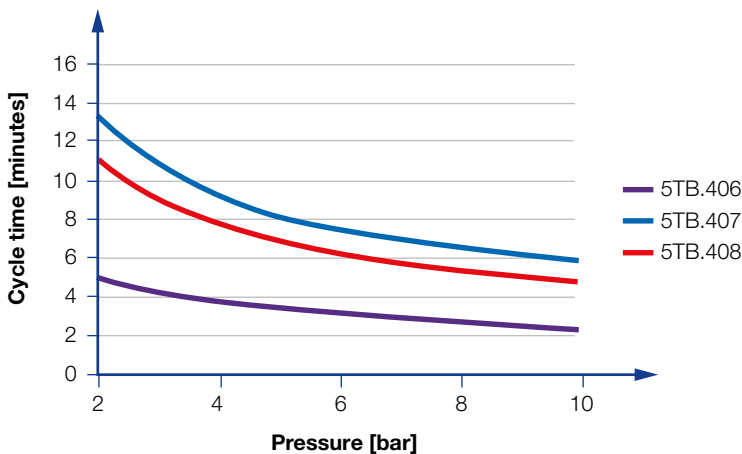
Overview of the tank diameter, depending upon the pressure of series 5TB



Spray angle 	Ordering no. Type	E Ø [mm]	Number, Ø Nozzles [mm]	V̇ [l/min]				Max. tank diameter [m]
				p [bar] (p <sub>max</sub> = 25 bar)				
				2	5	10	at 40 psi [US gal/min]	
360° 	<b>5TB.406.1Y.AS</b>	6.0	4 x 6.0	107	169	239	33.1	14.0
	<b>5TB.407.1Y.AS</b>	6.0	4 x 7.0	132	209	296	41.0	14.0
	<b>5TB.408.1Y.AS</b>	6.0	4 x 8.0	150	238	336	46.7	15.0

E = narrowest free cross-section


The maximum tank diameter shown above applies for the recommended operating pressure and is indicative only. The cleaning result is also affected by the type of soiling.



Cycle time depending on pressure of series 5TB

**Example of ordering with ATEX approval. FDA and (EC) 1935/2004 conform.**

Unit group/category/zones:

 II 1G Ex h IIB T6...T4 Ga

 II 1D Ex h IIIC T85 °C...T135 °C Da



Example of Ordering:

Type/Ordering no.  
5TB.406.1Y.AS.EX

**Example of ordering with FDA and (EG) 1935/2004 conformity.**

All Materials are suitable for contact with food.



Example of Ordering:

Type/Ordering no.  
5TB.406.1Y.AS