



Rotating cleaning nozzle »MiniWhirly« Series 500.186

Series 500.186

The MiniWhirly made from POM is the economical entry-level model in the area of tank cleaning. The rotating nozzle has effective flat fan nozzles and was specifically designed for applications in barrel and canister cleaning.



Max. tank diameter [m]



Materials

POM,
316 SS



Max. temperature

50 °C



Recommended operating pressure

2 bar



Installation

Vertically facing downward



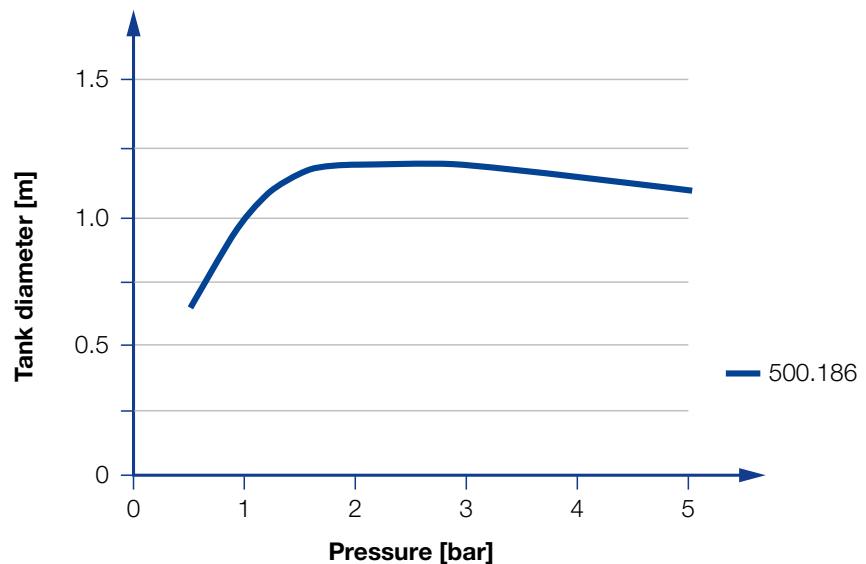
Filtration

Line strainer with a mesh size of 0.3 mm/50 mesh

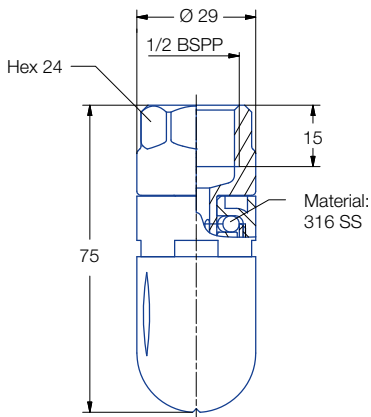


Bearing



Ball bearing made of stainless steel



Overview of the tank diameter, depending upon the pressure of series 500.186



Female thread

Spray angle 	Ordering number Type	E Ø [mm]	V̇ [l/min]				Max. tank diameter [m]
			p [bar] (p _{max} = 5 bar)				
			1	2	3	at 40 psi [US gal/min]	
300° 	500.186.56.AH	1.9	13	18	22	6	1.3

E = narrowest free cross-section

The maximum tank diameter shown above applies for the recommended operating pressure and is indicative only. The cleaning result is also affected by the type of soiling.

Information on operation

- Operation with compressed air only for short-term usage. Operation above the recommended operating pressure has negative effects on the cleaning result and wear.