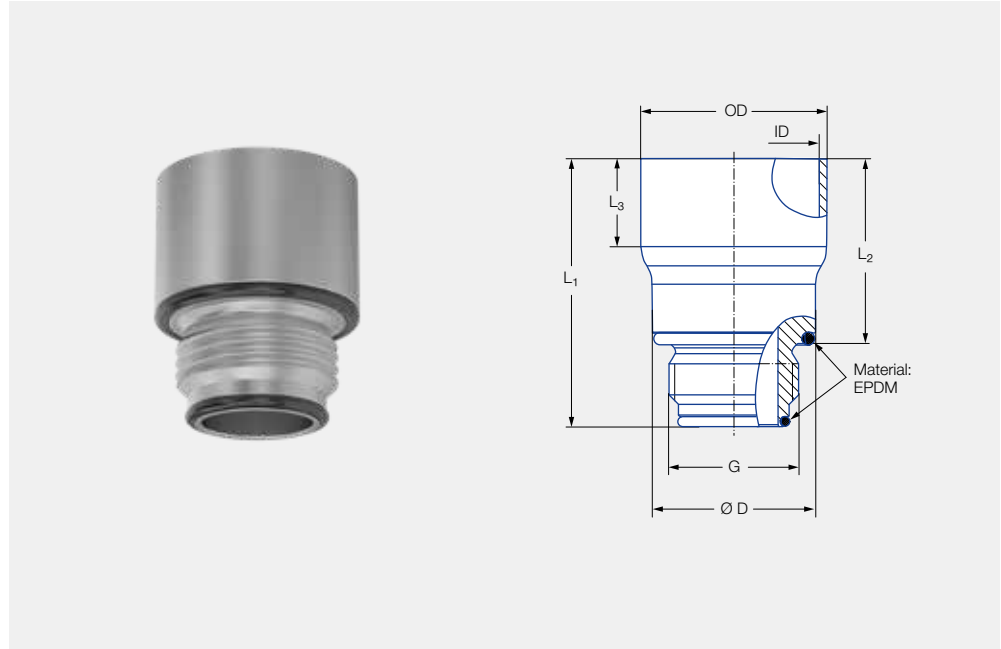




Adapter »HygienicFit« Series 05C

Series 05C

The HygienicFit ensures a hygienic connection between your tank cleaning nozzle and the supply line. The adaptor is welded onto the connection pipe, while the Lechler tank cleaning nozzle is screwed onto it. The O-rings on the adapter completely encapsulate the thread, thereby providing a perfectly hygienic connection to the system. Through the use of the O-rings, the HygienicFit also offers a reliable thread lock.



Materials
316L SS;
EPDM (O-Ring)



Max. temperature
150 °C



Installation
Operation in every
direction is possible

Ordering no.	Connection thread BSPP male	Dimensions [mm]				Dimensions OD = Outer diameter ID = Inner diameter [mm]		Pipe standard
		L ₁	L ₂	L ₃	Ø D	OD	ID	
05C.190.1Y.AE.16	3/8	48	35,7	18	21,5	19,05	15,8	DIN EN 10357 series D
05C.230.1Y.AE.15	3/8	48	35,7	18	21,5	23	20	DIN EN 10357 series A
05C.250.1Y.AE.12	3/8	48	35,7	17	21,5	25	22,6	DIN EN 10357 series D
05C.250.1Y.AG.12	1/2	56	39	18	31	25	22,6	DIN EN 10357 series D
05C.350.1Y.AK.15	3/4	55	37,8	21	33,5	35	32	DIN EN 10357 series A
05C.380.1Y.AK.12	3/4	55	37,8	18	33,5	38	35,6	ISO 2037
05C.381.1Y.AK.15	3/4	55	37,8	18	33,5	38,1	35,1	DIN EN 10357 series D
05C.381.1Y.AM.16	1	59	39	23	40,5	38,1	34,9	DIN EN 10357 series D
05C.508.1Y.AP.15	1 1/4	57	38	22	49,4	50,8	47,8	DIN EN 10357 series D
05C.635.1Y.AR.16	1 1/2	63	44	22	56	63,5	60,3	DIN EN 10357 series D

Spare parts set of O-rings, EPDM

Thread type BSPP	Ordering no.
3/8	05C.000.E9.AE.00
1/2	05C.000.E9.AG.00
3/4	05C.000.E9.AK.00
1	05C.000.E9.AM.00
1 1/4	05C.000.E9.AP.00
1 1/2	05C.000.E9.AR.00

O-ring set is also available on request in FKM.